



US00D478127S

(12) **United States Design Patent** (10) **Patent No.:** **US D478,127 S**  
**Nishikawa** (45) **Date of Patent:** **\*\* Aug. 5, 2003**

(54) **INFORMATION STORAGE CARTRIDGE FOR ELECTRONIC GAME MACHINE**

(75) Inventor: **Yoshitaka Nishikawa, Kyoto (JP)**

(73) Assignee: **Nintendo Co., Ltd. (JP)**

(\*\*) Term: **14 Years**

(21) Appl. No.: **29/150,580**

(22) Filed: **Nov. 27, 2001**

(30) **Foreign Application Priority Data**

May 30, 2001 (JP) ..... 2001-015555  
May 30, 2001 (JP) ..... 2001-015567  
Sep. 7, 2001 (JP) ..... 2001-026399

(51) **LOC (7) Cl.** ..... **21-01**

(52) **U.S. Cl.** ..... **D21/332; D14/435**

(58) **Field of Search** ..... D21/332, 333,  
D21/324; D14/435-438; 273/148 B; 463/1,  
29, 30, 43-47; 360/132, 133; 242/341,  
348, 335; 369/291, 292, 77.2, 75.1

(56) **References Cited**

**U.S. PATENT DOCUMENTS**

4,149,027 A \* 4/1979 Asher et al. .... 463/44  
D269,087 S \* 5/1983 Nishi ..... D14/435  
D272,342 S \* 1/1984 Cheng ..... D14/435  
D294,020 S \* 2/1988 Yukawa ..... D14/435

4,865,321 A \* 9/1989 Nakagawa et al. .... 273/148 B  
5,362,068 A \* 11/1994 Liu ..... 463/44  
D376,795 S 12/1996 Ashida  
D382,868 S 8/1997 Ashida  
D396,707 S 8/1998 Ashida  
D404,081 S 1/1999 Ota et al.  
D437,323 S 2/2001 Sugino et al.  
D449,078 S 10/2001 Fujita  
D452,281 S 12/2001 Ohno  
D458,643 S \* 6/2002 Ashida ..... D21/332

\* cited by examiner

*Primary Examiner*—Prabhakar Deshmukh

(74) *Attorney, Agent, or Firm*—Nixon & Vanderhye P.C.

(57) **CLAIM**

The ornamental design for a “information storage cartridge for electronic game machine”, as shown and described.

**DESCRIPTION**

FIG. 1 is a top plan view of an information storage cartridge for electronic game machine showing an exemplary embodiment;

FIG. 2 is a front elevational view thereof;

FIG. 3 is a bottom plan view thereof;

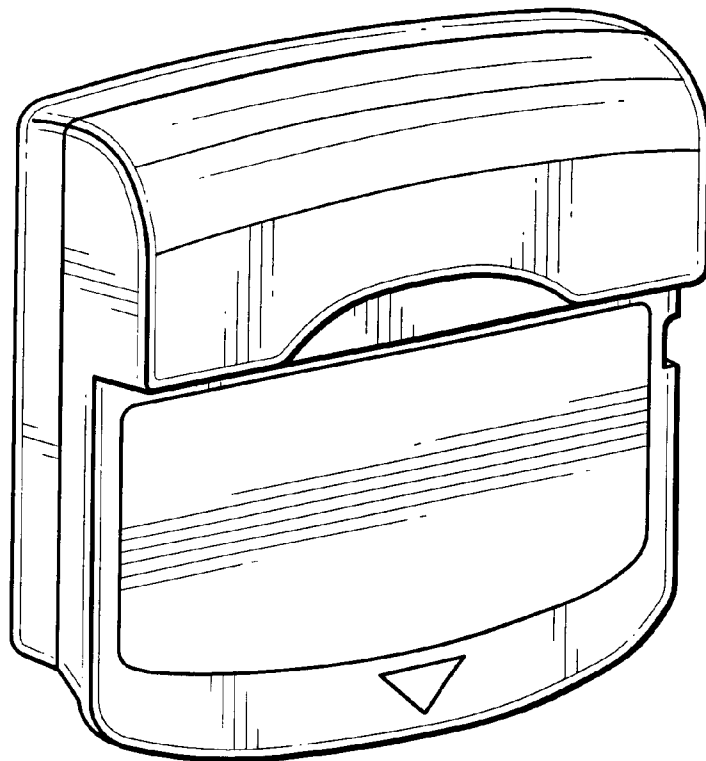
FIG. 4 is a rear elevational view thereof;

FIG. 5 is a right side view thereof;

FIG. 6 is a left side view thereof; and,

FIG. 7 is a top, rear and right side perspective view thereof.

**1 Claim, 3 Drawing Sheets**



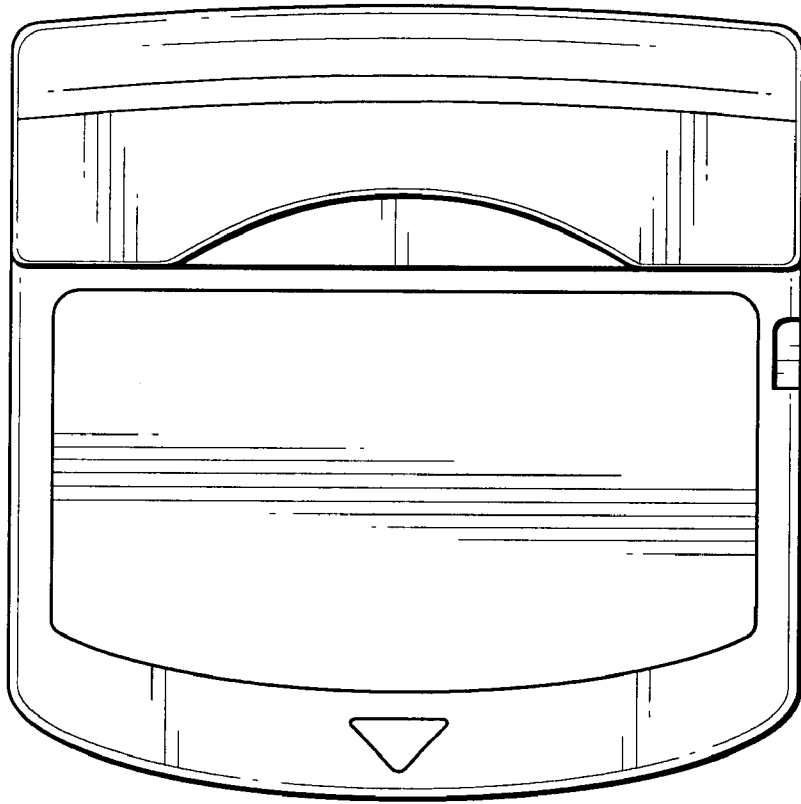


Fig. 1

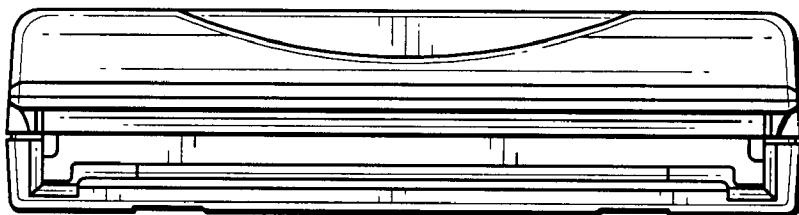


Fig. 2

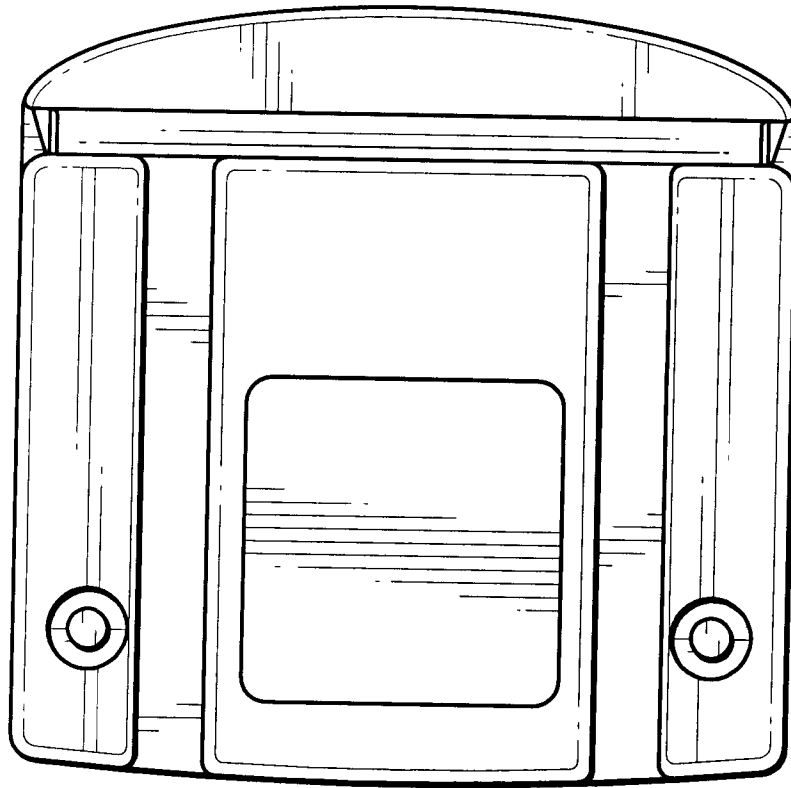


Fig. 3



Fig. 4

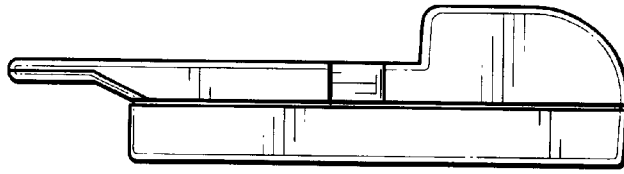


Fig. 5



Fig. 6

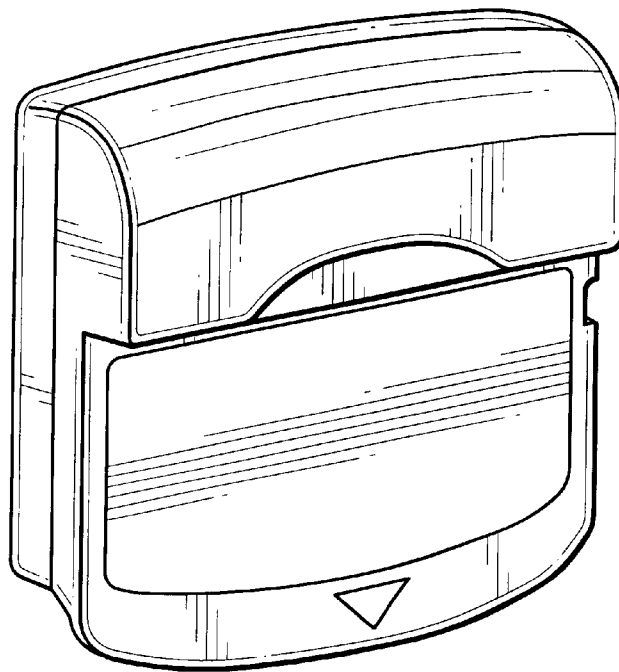


Fig. 7